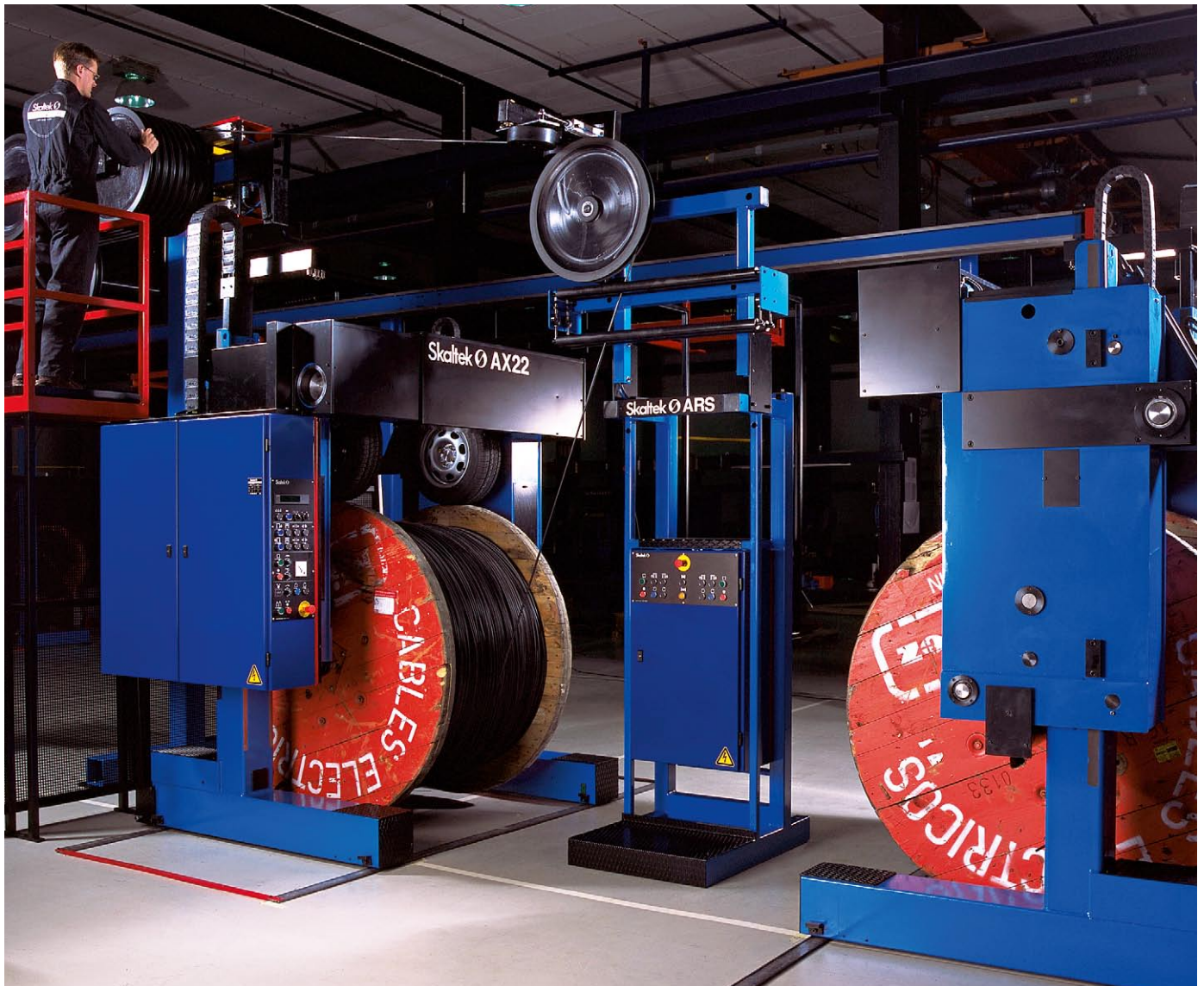


## Semi-Automatic Pay-off System

## Skaltek ARS

**Basic Vision – Customer Need**

Skaltek ARS is designed to enable continuous operation in extrusion lines. The application consists of two Skaltek pay-offs, a central ARS-stand and an accumulator. The ARS is designed to be very similar in layout and operation as the VS40/60, as both applications are commonly used in the same extrusion line.

**Main Advantage – Customer Value**

- Skaltek ARS offers a compact layout.
- Skaltek ARS enables quick change-over from an empty reel to a full reel without need to stop the extruder.
- The Skaltek pay-offs enable quick reel changes and efficient material flow.

**Result – Reward – Return of Investment**

Efficient non-stop production with a minimum of operator intervention. Machine components of high quality lead to many years of optimal productivity.

**Basic Product Information**

**1.** The central ARS-stand is equipped with an electrical control cabinet and an operator panel. The ARS provides speed regulation, etc. for the pay-offs.



**2.** The ARS includes a Step-by-Step traverse unit, which enables the cable to always be pay-off in a straight angle even though the pay-offs are placed close to the entry point in the ARS-stand. This enables a compact layout.

**3.** The ARS is also equipped with a one-way rotating cable clamp. This prevents the cable end on the pay-off reel to be pulled into the accumulator when changing to a full pay-off

reel. After splicing the cable ends, the new pay-off reel can be jogged backwards to eliminate the slack in the cable. The one-way cable clamp avoids uncontrolled tension in the cable when jogging backwards.

**4.** After change-over to a full reel, the operator can transport the pay-off with the empty reel sideways to the reel changing position.

**5.** With tire driven System X pay-offs the reel change is quicker and easier and the winding is safe, smooth and quiet.

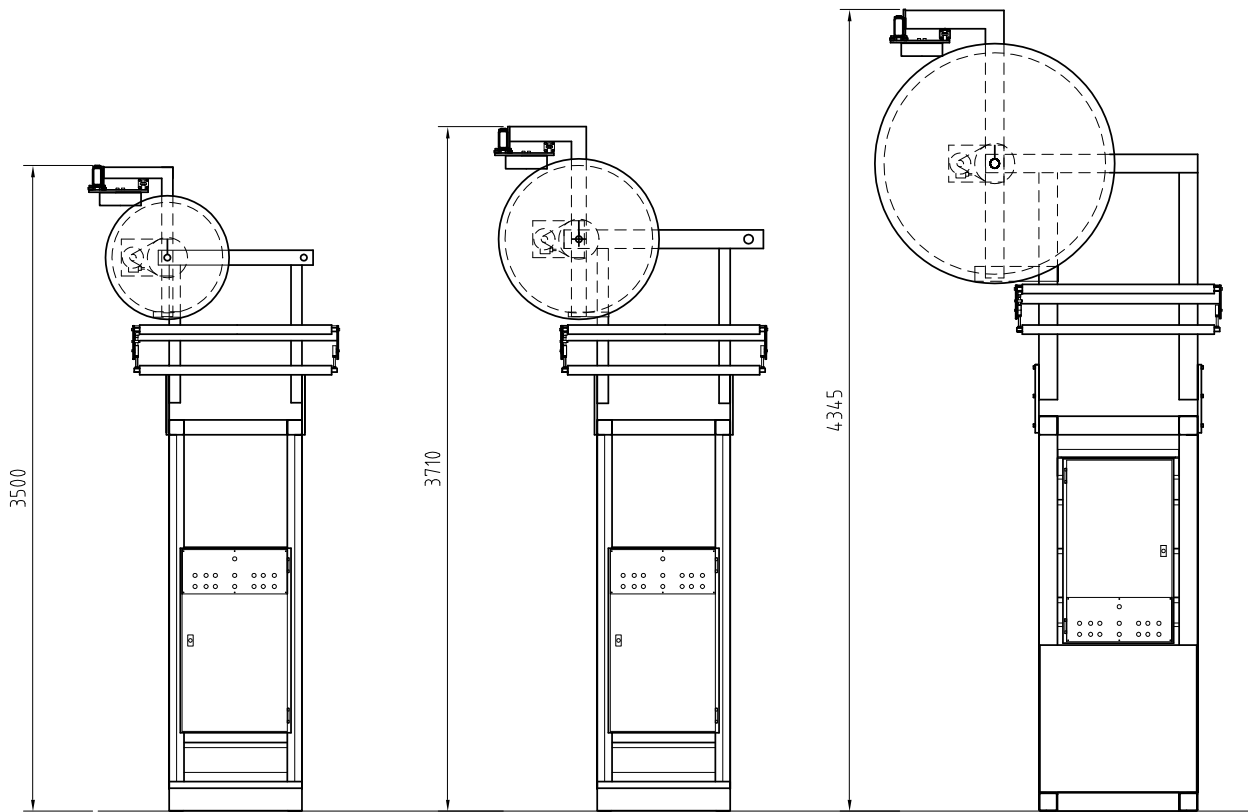
**6.** Depending on the application and the sizes of cables, three different sizes of ARS-stands can be selected:

- ARS 600: cable diameters up to 30 mm
- ARS 800: cable diameters up to 35 mm
- ARS 1200: cable diameters up to 50 mm

**7.** Depending on the application and cable types, the appropriate types of pay-offs and accumulator are selected. The layout shows one example of an application. Each case must be studied and layouts made according to the selected machine components and the factory layout.

# Semi-Automatic Pay-off System

# Skaltek ARS



ARS 600

ARS 800

ARS 1200

